



**Safely Handle Tires and Rims with  
Cascade's Tire Handling Solutions**

# An attachment to suit any tire or rim.

Cascade Tire Handlers offer the safest, most efficient handling methods for changing, moving or stacking tires. No matter what size, weight or type of tire you're handling, Cascade has an attachment designed to maximize your productivity.

If you don't see the attachment you need, call customer service at 800 CASCADE (227-2233) and we'll design a clamp to fit your exact specifications.

## Large OTR (Off The Road) Tires



### Tire Manipulator

Designed for the mining and earth moving industries and may be used in any application requiring the need to handle earth moving tires. The Tire Manipulator allows you to safely handle OTR tires weighing up to 16 metric tons. The ability to rotate, tip and sideshift the tire provides the flexibility needed to align the tire to the truck and complete the tire change without the driver leaving the cab of the lift truck. Tire Manipulators are four-function attachments that offer clamp, sideshift, frame rotate and contact pad rotation.



### Slim Profile Tire Handlers

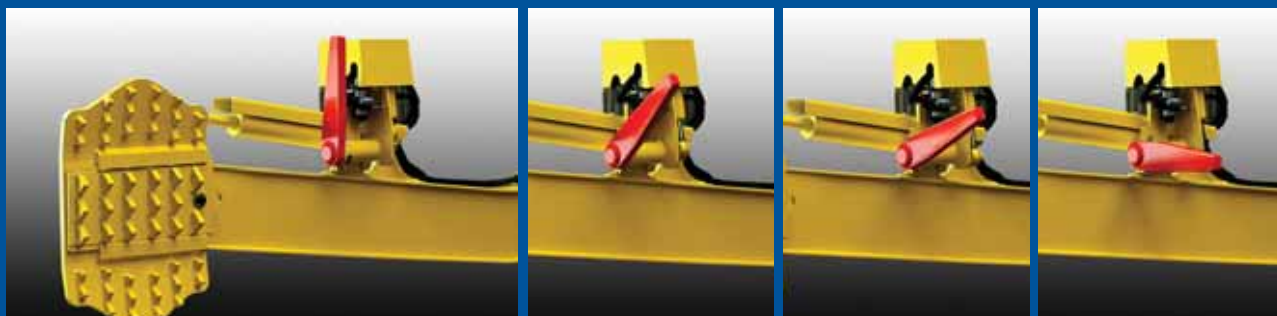
Slim Profile dedicated arm models allow efficient handling in restricted spaces, minimizing damage to expensive fuel and oil tanks on rear-loading dump trucks and mud guards on wheel loaders and scrapers. The combination of frame rotation, sideshift and pad rotation keeps tire removal and replacement times to a minimum, increasing efficiency and reducing downtime.

### Options

Integral or Pin Mounting • Optional Joystick Electronic Controls • Customized Tilt Angles • Custom Arm Facing • Rim Pad Handlers • Access Ladders • Tool Carriers • 360° Pad or Frame Rotation

## Automatic Fall-Back Arms

Featuring arms that can be deployed without personnel entering the "Crush Zone." Interchangeable with Cascade standard manual arms, can be retrofitted to existing attachments and the arms will fold into the stored position in the event of accidental vertical impact.







## Underground Vehicle OTR (Off The Road) Tires



### Underground Tire Clamp Models

Allows access to OTR tires housed in confined wheel wells. Specifically used for underground loaders, haul trucks, trams and articulated dump trucks with single wheel configuration. With a total pad thickness of two inches, this attachment is able to handle OTR tires up to 35/65R33. This model is desirable for any underground or quarry application.

#### Options

Various mounting options available to suit lift trucks, tool carriers telehandler or basic wheel loaders

## Industrial, Agricultural, Transport or Small OTR (Off The Road) Tires



### Pivoting Arm Tire Clamp

Provide easy handling of industrial, agricultural, transport and small OTR tires. Based on Cascade's proven Paper Roll Clamp technology this rugged attachment can handle tires stacked horizontally or vertically. Extended pad heights allow for multiple tires to be transported and rotated 360°.



### Tire Stack Handler

Grabs and compresses stacks of tires which increases productivity when loading transport trailers. Includes a specially designed mast with mounting brackets to fit the truck. Independent top and bottom clamps both raise/lower and open/close.

#### Options

Various opening ranges, capacities and fork sizes

# Multi-Use Tire Handlers

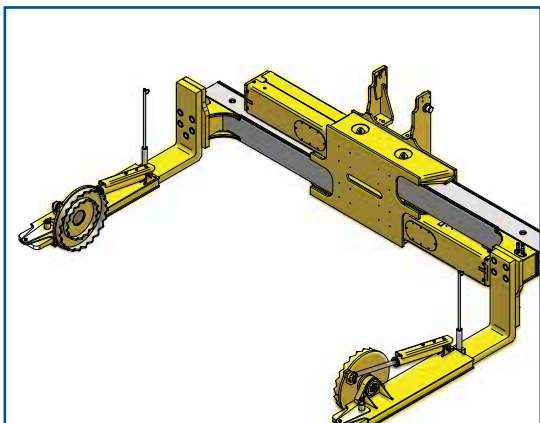


## Turnafork™

Turnaforks™ offer flexibility for both clamp handling and pallet handling. The Turnafork™ allows clamping the tires directly while offering the flexibility of rotating the blades to pick up a stack of tires on a pallet. The Cascade Turnafork™ has a capacity of up to 7000 lbs.

### Options

Sideshifting available with solenoid valve • Smooth facing, rigid or other style fork tines available

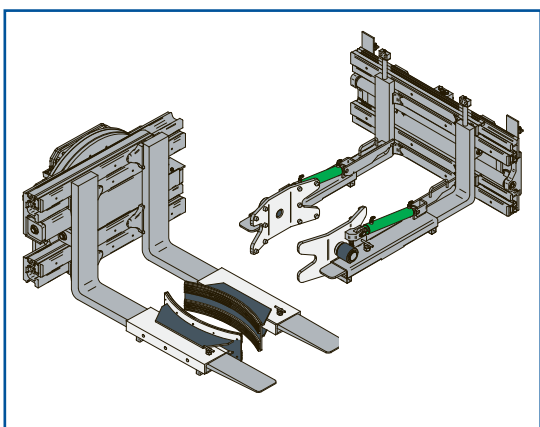


## Multi-Purpose Tire Handlers

Fitted with slip-on contact pads, this Tire Handler allows the hydraulically actuated pads to clamp OTR tires like its dedicated brother, but adds the ability to handle bulk cargo when the pads are removed. These models have a capacity rating up to 22,000 lbs., are available in non-revolving models and are often used in distribution centers and logistics facilities.

### Options

Various opening ranges, capacities and fork sizes • Customized clamp pad facings

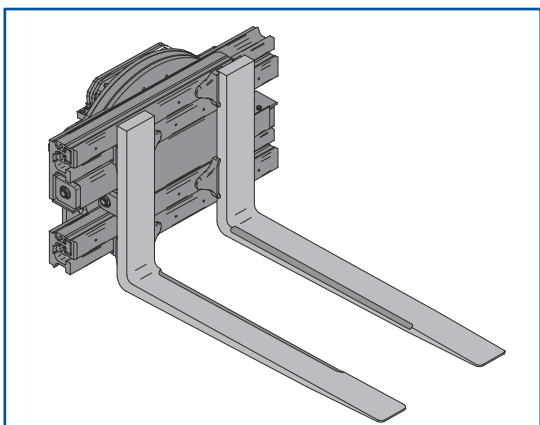


## Slip-On Pads

A cost-effective solution that transforms a fork clamp into a tire and rim handler. Best for applications where handling tires is only a part of normal operations. Available on lateral arm and revolving fork clamps with a capacity up to 13,200 lbs. @ 24 inches with pads disengaged and 4,400 lbs. @ 67 inches with pads engaged.

### Options

Slip-on fork mounted arms with powered 90° tipping pads to handle a single tire • Sideshifting or rotating • Various opening ranges, capacities and fork sizes • Steel or rubber faced clamp pads



## Tire Chamfered Forks

Based on a standard fork clamp, this attachment comes with forks that have the top inside corners specially chamfered to handle tires. This chamfer allows the forks to easily slide underneath the tire.

### Options:

Various opening ranges and capacity ratings