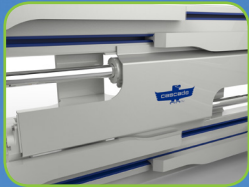
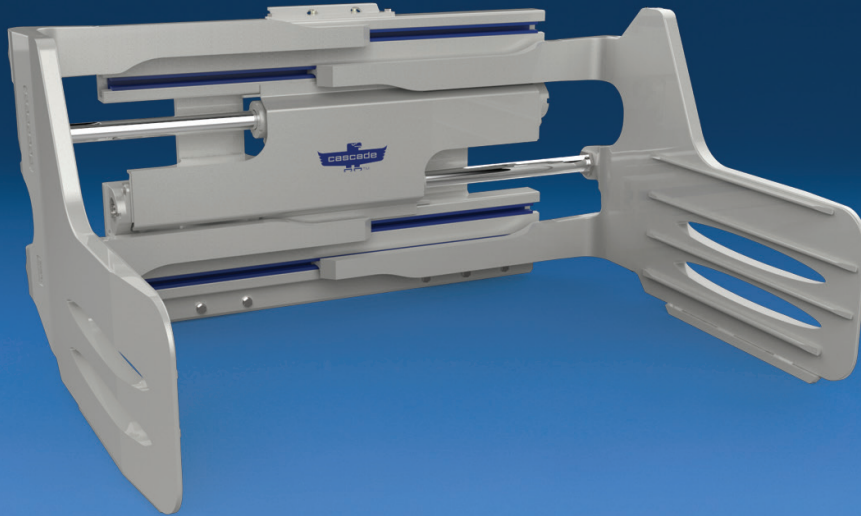
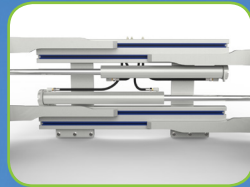


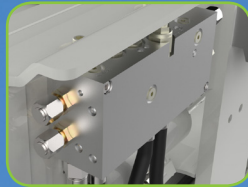
Industry Leading Durability and Reliability in the Most Rugged Recycling Operations



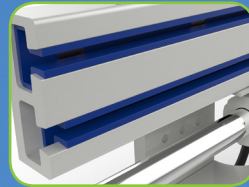
Cylinder bumper protects the hydraulic lines and cylinders from impact and debris



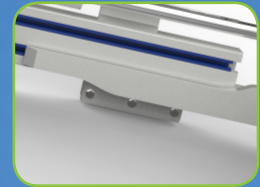
Industry leading visibility through frame and arms



Easy access valve with built in clamp protection and steel valve guard



Lube-free, full-width lip over UHMW bearings provide superior durability and service life



Hardened steel wear strips protects frame from damage

APPLICATIONS

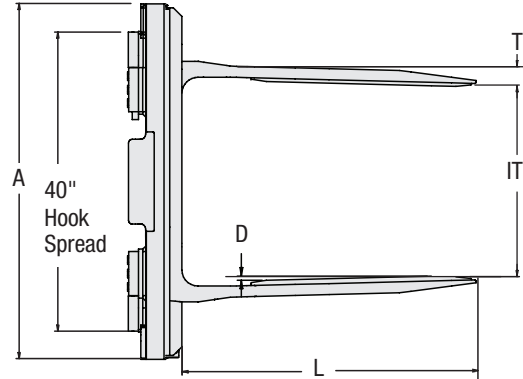
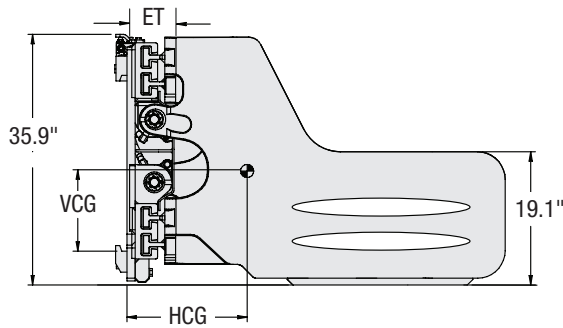
Cascade's 100G Recycling Clamps are purposely designed to perform in the most demanding recycling applications. Commonly found operating in many paper, metal and plastic recycling facilities.

FEATURES

- Available for both high and low pressure hydraulic systems.
- Overclamp protection relief.
- Two-way backhand protection relief (sideshift & clamp open circuits).
- Top-mounted cartridges and test ports in valve for ease of service.
- Flow divider for equal arm movement.
- Full-length, hardened arm wear plates provide maximum arm protection.
- Bolt-on full width, hardened frame wear strip with front facing hardware provides maximum protection and easy replacement.
- Steel hydraulic valve guard & cylinder bumper to protect hydraulics.
- High-strength, hot extruded steel frame.
- Lube-free, full-width lip over UHMW bearings for long life.
- Thin arm profile for effective knifing between loads.
- Industry leading visibility.
- Smooth high speed performance.
- Rebar rib arm facing for optimal load engagement.
- Maximized clamp force for secure load handling.
- Carriage centering key for precise and secure mounting.
- High-strength corner castings for maximum arm durability.

OPTIONS

- Custom arm facing options (rectangular, serrated etc.).
- Custom arm lengths and heights.
- Custom frame widths.
- Custom opening ranges.
- Quick-Disconnect lower hooks.
- Class 3A or 3B mounting options.
- Clamp Open Guard.
- Consult Cascade for customized solutions to fit your application.



Catalog Order No.	Capacity@ 24" (600 mm) Load Center		Overall Width A	Opening Range ITI	Arm Size LxT	Arm Toe-in D	Weight		Horizontal Ctr. of Gravity HCG	Vertical Ctr. of Gravity VCG	Effective Thickness ET	Mounting Class
	lbs	kg					lbs	kg				
Low Pressure Models (Truck Operating Pressures Up To 2,760 psi)												
100G-WCS-4A-0005	8,800	4,000	55"	19.3"-82.3"	47.2" x 4.1"	1.8"	2,429	1,104	11.6"	11.5"	7.0"	IV
100G-WCS-4A-0010	8,800	4,000	55"	18.9"-81.9"	55.1" x 4.3"	2.4"	2,655	1,207	14.2"	11.3"	7.0"	IV
100G-WCS-4A-0015	8,800	4,000	55"	18.1"-81.1"	63.0" x 4.7"	3.1"	2,829	1,286	16.5"	11.1"	7.0"	IV
100G-WCS-4A-0020	8,800	4,000	59"	25.1"-93.5"	47.2" x 4.1"	1.8"	2,537	1,153	11.3"	11.5"	7.0"	IV
100G-WCS-4A-0025	8,800	4,000	59"	24.7"-93.1"	55.1" x 4.3"	2.4"	2,763	1,256	13.8"	11.3"	7.0"	IV
100G-WCS-4A-0030	8,800	4,000	59"	23.9"-92.3"	63.0" x 4.7"	3.1"	2,935	1,334	16.1"	11.1"	7.0"	IV
100G-WCS-4A-0035	8,800	4,000	67"	22.0"-99.6"	47.2" x 4.1"	1.8"	2,647	1,203	10.9"	11.6"	7.0"	IV
100G-WCS-4A-0040	8,800	4,000	67"	21.6"-99.2"	55.1" x 4.3"	2.4"	2,873	1,306	13.3"	11.3"	7.0"	IV
100G-WCS-4A-0045	8,800	4,000	67"	20.8"-98.4"	63.0" x 4.7"	3.1"	3,045	1,384	15.6"	11.2"	7.0"	IV
High Pressure Models (Truck Operating Pressures Over 2,760 psi)												
100G-WCS-4A-0006	8,800	4,000	55"	19.3"-82.3"	47.2" x 4.1"	1.8"	2,422	1,101	11.6"	11.5"	7.0"	IV
100G-WCS-4A-0011	8,800	4,000	55"	18.9"-81.9"	55.1" x 4.3"	2.4"	2,649	1,204	14.2"	11.3"	7.0"	IV
100G-WCS-4A-0016	8,800	4,000	55"	18.1"-81.1"	63.0" x 4.7"	3.1"	2,823	1,283	16.6"	11.1"	7.0"	IV
100G-WCS-4A-0021	8,800	4,000	59"	25.1"-93.5"	47.2" x 4.1"	1.8"	2,530	1,150	11.3"	11.5"	7.0"	IV
100G-WCS-4A-0026	8,800	4,000	59"	24.7"-93.1"	55.1" x 4.3"	2.4"	2,757	1,253	13.8"	11.3"	7.0"	IV
100G-WCS-4A-0031	8,800	4,000	59"	23.9"-92.3"	63.0" x 4.7"	3.1"	2,935	1,334	16.1"	11.1"	7.0"	IV
100G-WCS-4A-0036	8,800	4,000	67"	22.0"-99.6"	47.2" x 4.1"	1.8"	2,647	1,203	10.9"	11.6"	7.0"	IV
100G-WCS-4A-0041	8,800	4,000	67"	21.6"-99.2"	55.1" x 4.3"	2.4"	2,873	1,306	13.3"	11.3"	7.0"	IV
100G-WCS-4A-0046	8,800	4,000	67"	20.8"-98.4"	63.0" x 4.7"	3.1"	3,045	1,384	15.6"	11.2"	7.0"	IV

① Published opening range represents nominal clamp dimensions only and may not accommodate loads with same or close to same dimension. Consult Cascade for further assistance.

▶ Valve configuration is RH Clamp, LH Sideshift (view from operator). Optional reverse valve configuration available.