



## Fork Clamps with Superior Reliability and Unlimited Customization.

### APPLICATIONS

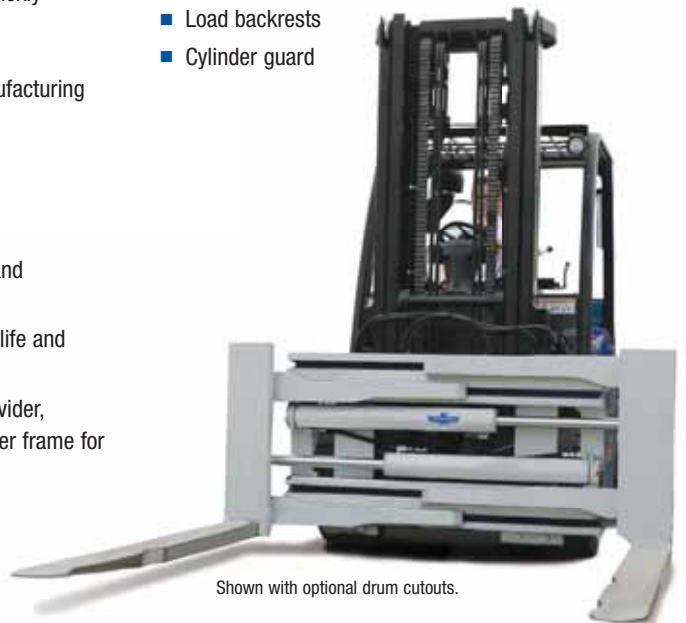
The 120G and 140G Fork Clamps are ideal for handling, cradling and securing awkward loads including crates, bales and tires, even at extended opening ranges. The forks can be opened beyond the carriage width—something a conventional Fork Positioner cannot do. Functioning as a Fork Positioner, the 120G and 140G Fork Clamps allow the truck operator to quickly reposition the forks to fit varying pallet or container configurations. Ideal for food processing, automotive manufacturing, recycling, foundries and general manufacturing operations.

### FEATURES

- Rugged steel frame for durability and visibility
- Pressure relief protection for the sideshift, clamp and backhand functions
- One piece full-length UHMW bearings for superior life and serviceability
- Integrated sideshifting hydraulic valve with flow divider, pressure relief and check valve located below upper frame for optimal visibility

### OPTIONS

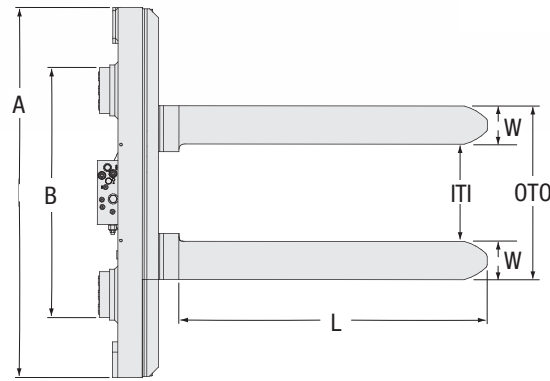
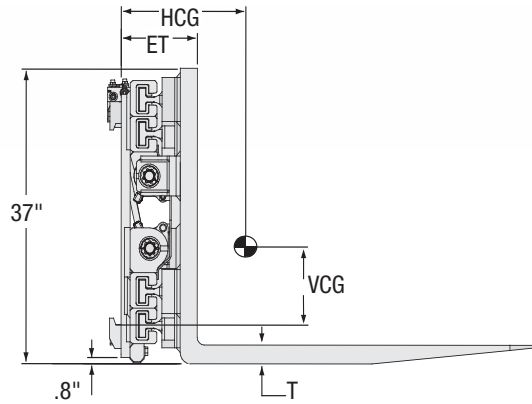
- Independent arm positioning
- Special fork opening ranges
- Customized fork types and sizes
- Special fork lengths for multiple applications
- Quick-change lower hooks
- Load backrests
- Cylinder guard



Shown with optional drum cutouts.

*The unique ability to both clamp and easily reposition the forks, speeding up handling and increasing productivity.*

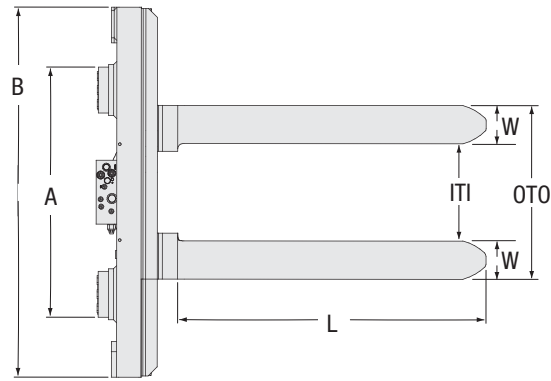
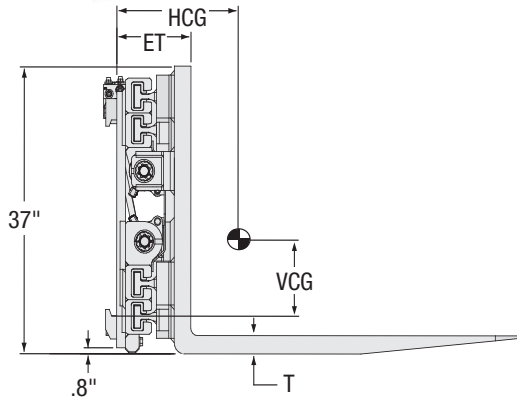
# G-SERIES NON-SIDESHIFTING



Catalog Order No.	Capacity @ 24" (600 mm) Load Center		Opening Range (in.)		Mtg. Class ①	Min. Truck Carriage Width B	Fork Size (in.) LxWxT	Weight		Effective Thickness ET	Horizontal Ctr. of Gravity HCG	Vertical Ctr. of Gravity VCG	Overall Width A
	lbs	kg	ITI	OTO				lbs	kg				
120G-CFB-CA1A	11,000	5,000	15.9-81.5	30.1-95.7	IV	38.6"	48x7x2.25	2,387	1,085	10.6"	8.5"	11.1"	57.1"
120G-CFB-CA15	11,000	5,000	15.9-81.5	30.1-95.7	IV	38.6"	60x7x2.25	2,490	1,132	10.6"	10.6"	10.4"	57.1"
120G-CFB-CC1A	11,000	5,000	14.0-81.5	28.1-95.7	IV	38.6"	48x7x2.25	2,438	1,108	10.6"	8.4"	11.1"	61.0"
120G-CFB-CC15	11,000	5,000	14.0-81.5	28.1-95.7	IV	38.6"	60x7x2.25	2,539	1,154	10.6"	10.5"	10.5"	61.0"
120G-CFB-CC23	11,000	5,000	22.2-95.7	36.4-109.8	IV	38.6"	48x7x2.25	2,493	1,133	10.6"	8.2"	11.3"	61.0"
120G-CFB-CC25	11,000	5,000	22.2-95.7	36.4-109.8	IV	38.6"	60x7x2.25	2,614	1,188	10.6"	10.3"	10.6"	61.0"
120G-CFB-CD23	11,000	5,000	23.2-100.8	37.4-115.0	IV	38.6"	48x7x2.25	2,539	1,154	10.6"	8.1"	11.3"	63.0"
120G-CFB-CD25	11,000	5,000	23.2-100.8	37.4-115.0	IV	38.6"	60x7x2.25	2,660	1,209	10.6"	10.2"	10.6"	63.0"
120G-CFB-CD33	11,000	5,000	25.5-101.9	39.7-116.1	IV	38.6"	48x7x2.25	2,552	1,160	10.6"	8.1"	11.3"	63.0"
120G-CFB-CD35	11,000	5,000	25.5-101.9	39.7-116.1	IV	38.6"	60x7x2.25	2,673	1,215	10.6"	10.2"	10.6"	63.0"
140G-CFB-CA1A	14,000	6,350	15.9-78.3	30.1-92.5	IV	42.5"	48x7x2.5	2,556	1,162	11"	8.8"	11.1"	57.1"
140G-CFB-CA15	14,000	6,350	15.9-78.3	30.1-92.5	IV	42.5"	60x7x2.5	2,680	1,218	11"	10.9"	10.4"	57.1"
140G-CFB-CC1A	14,000	6,350	14.4-81.9	28.5-96.1	IV	42.5"	48x7x2.5	2,616	1,189	11"	8.7"	11.2"	61.0"
140G-CFB-CC15	14,000	6,350	14.4-81.9	28.5-96.1	IV	42.5"	60x7x2.5	2,735	1,243	11"	10.7"	10.5"	61.0"
140G-CFB-CC2A	14,000	6,350	21.8-91.3	35.9-105.4	IV	42.5"	48x7x2.5	2,684	1,220	11"	8.6"	11.2"	61.0"
140G-CFB-CC25	14,000	6,350	21.8-91.3	35.9-105.4	IV	42.5"	60x7x2.5	2,805	1,275	11"	10.6"	10.6"	61.0"
140G-CFB-CD2A	14,000	6,350	25.9-97.2	40.1-111.4	IV	42.5"	48x7x2.5	2,752	1,251	11"	8.5"	11.3"	63.0"
140G-CFB-CD25	14,000	6,350	25.9-97.2	40.1-111.4	IV	42.5"	60x7x2.5	2,873	1,306	11"	10.5"	10.7"	63.0"
140G-CFB-CV3A	14,000	6,350	25.6-133.9	39.8-148.0	IV	66.9"	48x7x2.5	3,381	1,537	11"	7.6"	11.8"	98.4"
140G-CFB-CV35	14,000	6,350	25.6-133.9	39.8-148.0	IV	66.9"	60x7x2.5	3,500	1,591	11"	9.3"	11.3"	98.4"

① Class V (limited to 140G models) or pin-type mounting available. All Fork Clamps have a 0° mounting angle. For other mounting options, consult Cascade.

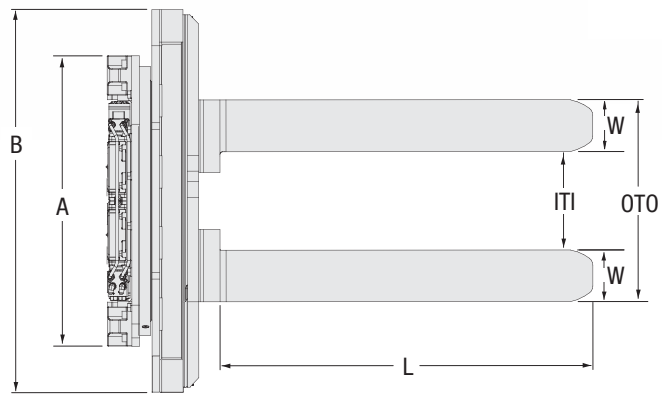
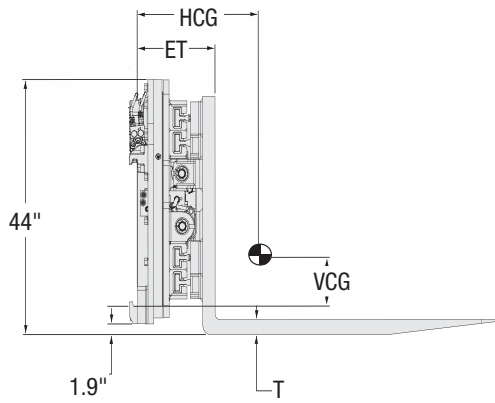
▶ These Fork Clamps can be configured with a wide number of opening ranges and fork sizes. Fork offset may be reversed for a narrower opening range.



Catalog Order No.	Capacity @ 24" (600 mm) Load Center		Opening Range (in.)		Mtg. Class <sup>⓪</sup>	Min. Truck Carriage Width A	Fork Size (in.) LxWxT	Weight		Effective Thickness ET	Horizontal Ctr. of Gravity HCG	Vertical Ctr. of Gravity VCG	Overall Width B
	lbs	kg	ITI	OTO				lbs	kg				
120G-CFS-CA1A	11,000	5,000	15.9-81.5	30.1-95.7	IV	38.6"	48x7x2.25	2,387	1,085	10.6"	8.5"	11.1"	57.1"
120G-CFS-CA15	11,000	5,000	15.9-81.5	30.1-95.7	IV	38.6"	60x7x2.25	2,490	1,132	10.6"	10.6"	10.4"	57.1"
120G-CFS-CC1A	11,000	5,000	14.0-81.5	28.1-95.7	IV	38.6"	48x7x2.25	2,438	1,108	10.6"	8.4"	11.1"	61.0"
120G-CFS-CC15	11,000	5,000	14.0-81.5	28.1-95.7	IV	38.6"	60x7x2.25	2,539	1,154	10.6"	10.5"	10.5"	61.0"
120G-CFS-CA2A	11,000	5,000	22.2-95.7	36.4-109.8	IV	38.6"	48x7x2.25	2,512	1,142	10.6"	8.3"	11.2"	61.0"
120G-CFS-CC25	11,000	5,000	22.2-95.7	36.4-109.8	IV	38.6"	60x7x2.25	2,614	1,188	10.6"	10.3"	10.6"	61.0"
120G-CFS-CD2A	11,000	5,000	23.2-100.8	37.4-115.0	IV	38.6"	48x7x2.25	2,561	1,164	10.6"	8.2"	11.3"	63.0"
120G-CFS-CD25	11,000	5,000	23.2-100.8	37.4-115.0	IV	38.6"	60x7x2.25	2,660	1,209	10.6"	10.2"	10.6"	63.0"
120G-CFS-CA3A	11,000	5,000	25.5-101.9	39.7-116.1	IV	38.6"	48x7x2.25	2,574	1,170	10.6"	8.2"	11.3"	63.0"
120G-CFS-CD35	11,000	5,000	25.5-101.9	39.7-116.1	IV	38.6"	60x7x2.25	2,673	1,215	10.6"	10.2"	10.6"	63.0"
140G-CFS-CA15	14,000	6,350	15.9-78.3	30.1-92.5	IV	42.5"	60x7x2.5	2,680	1,218	11"	10.9"	10.4"	57.1"
140G-CFS-CA1A	14,000	6,350	15.9-78.3	30.1-92.5	IV	42.5"	48x7x2.5	2,556	1,162	11"	8.8"	11.1"	57.1"
140G-CFS-CC15	14,000	6,350	14.4-81.9	28.5-96.1	IV	42.5"	60x7x2.5	2,735	1,243	11"	10.7"	10.5"	61.0"
140G-CFS-CC1A	14,000	6,350	14.4-81.9	28.5-96.1	IV	42.5"	48x7x2.5	2,616	1,189	11"	8.7"	11.2"	61.0"
140G-CFS-CC25	14,000	6,350	21.8-91.3	35.9-105.4	IV	42.5"	60x7x2.5	2,805	1,275	11"	10.6"	10.6"	61.0"
140G-CFS-CA2A	14,000	6,350	21.8-91.3	35.9-105.4	IV	42.5"	48x7x2.5	2,684	1,220	11"	8.6"	11.2"	61.0"
140G-CFS-CD25	14,000	6,350	25.9-97.2	40.1-111.4	IV	42.5"	60x7x2.5	2,873	1,306	11"	10.5"	10.7"	63.0"
140G-CFS-CD2A	14,000	6,350	25.9-97.2	40.1-111.4	IV	42.5"	48x7x2.5	2,752	1,251	11"	8.5"	11.3"	63.0"
140G-CFS-CV35	14,000	6,350	25.6-133.9	39.8-148.0	IV	66.9"	60x7x2.5	3,500	1,591	11"	9.3"	11.3"	98.4"
140G-CFS-CV3A	14,000	6,350	25.6-133.9	39.8-148.0	IV	66.9"	48x7x2.5	3,381	1,537	11"	7.6"	11.8"	98.4"

⓪ Class V (limited to 140G models) or pin-type mounting available. All fork clamps have a 0° mounting angle. For other mounting options, consult Cascade.

▶ These fork clamps can be configured with a wide number of opening ranges and fork sizes. Fork offset may be reversed for a narrower opening range.



## 360° Rotation

Catalog Order No.	Capacity @ 24" (600 mm) Load Center		Opening Range (in.)		Mtg. Class ①	Min. Truck Carriage Width	Fork size (in.)	Weight		Effective Thickness	Horizontal Ctr. of Gravity	Vertical Ctr. of Gravity	Overall Width
	lbs	kg	ITI	OTO				lbs	kg				
120G-CFR-CA1A	11,000	5,000	14.8-77.2	30.5-92.9	IV	44.3"	48x8x2.5	4,250	1,932	16.2"	10.7"	15.8"	57.1"
120G-CFR-CA15	11,000	5,000	14.8-77.2	30.5-92.9	IV	44.3"	60x8x2.5	4,347	1,976	16.2"	12.4"	15.2"	57.1"
120G-CFR-CC2A	11,000	5,000	20.2-90.2	35.9-105.9	IV	44.3"	48x8x2.5	4,393	1,997	16.2"	10.7"	15.9"	61.0"
120G-CFR-CC25	11,000	5,000	20.2-90.2	35.9-105.9	IV	44.3"	60x8x2.5	4,510	2,050	16.2"	12.2"	15.3"	61.0"
120G-CFR-CD3A	11,000	5,000	24.3-101	40.1-116.7	IV	44.3"	48x8x2.5	4,488	2,040	16.2"	10.7"	15.9"	63.0"
120G-CFR-CD35	11,000	5,000	24.3-101	40.1-116.7	IV	44.3"	60x8x2.5	4,609	2,095	16.2"	12.2"	15.3"	63.0"
140G-CFR-CA1A	13,200	6,000	14.8-77.2	30.5-92.9	IV	44.3"	48x8x2.5	4,336	1,971	16.6"	11.0"	15.8"	57.1"
140G-CFR-CA15	13,200	6,000	14.8-77.2	30.5-92.9	IV	44.3"	60x8x2.5	4,473	2,033	16.6"	12.5"	15.2"	57.1"
140G-CFR-CC2A	13,200	6,000	20.2-90.2	35.9-105.9	IV	44.3"	48x8x2.5	4,492	2,042	16.6"	10.9"	15.9"	61.0"
140G-CFR-CC25	13,200	6,000	20.2-90.2	35.9-105.9	IV	44.3"	60x8x2.5	4,629	2,104	16.6"	12.4"	15.3"	61.0"
140G-CFR-CC3A	13,200	6,000	24.0-92.8	39.8-108.6	IV	44.3"	48x8x2.5	4,525	2,057	16.6"	10.9"	15.9"	61.0"
140G-CFR-CC35	13,200	6,000	24.0-92.8	39.8-108.6	IV	44.3"	60x8x2.5	4,662	2,119	16.6"	12.4"	15.3"	61.0"
140G-CFR-CV3A	13,200	6,000	24.0-137.8	39.8-153.5	IV	44.3"	48x8x2.5	7,150	3,250	16.6"	10.4"	16.3"	98.4"
140G-CFR-CV35	13,200	6,000	24.0-137.8	39.8-153.5	IV	44.3"	60x8x2.5	5,744	2,611	16.6"	11.6"	15.9"	98.4"

① Class V (limited to 140G models) or pin-type mounting available. All Fork Clamps have a 0° mounting angle. For other mounting options, consult Cascade.

► These Fork Clamps can be configured with a wide number of opening ranges and fork sizes. Fork offset may be reversed for a narrower opening range.

## ROTATOR SPECIFICATIONS

Model	Rotator Speed/RPM	Max @ Flow gpm	Torque in./lbs. @ 2,300 psi
120G	3.6	20	145,000
140G	3.6	20	145,000

► Optional motors providing faster rotation available. Reduced torque will result.

## HYDRAULIC FUNCTIONS

Model	Hydraulic Functions	Truck Auxiliary Valves Required
Non-Sideshifting Models	1	1
Sideshifting Models	2	2
Revolving Models	2	2

## HYDRAULIC FLOW AND PRESSURE

Model	Maximum Pressure (psi/bar)	Min-Rec-Max (clamp) gpm
120G/140G	2,300/159	10-15-24