



Choose the 18-keg model for full kegs or the 36-keg model for empties.

APPLICATIONS

Two model offerings allow you to handle either 18 full barrel kegs or 36 empty barrel kegs. They provide a safe and efficient method for loading and unloading trailers at breweries, distributors and warehouse operations.

FEATURES

- Four special scalloped forks
- Bolt-on keg stabilizer arms
- Integral load backrest
- Class II bolt-on lower hooks

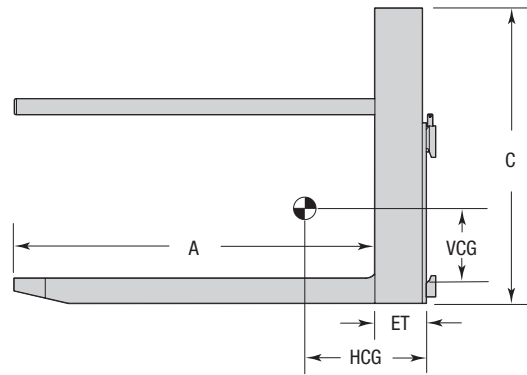
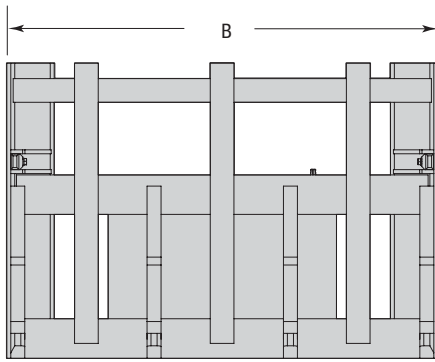
OPTION

- Class II weld-on lower hooks

*A productive
way to handle
barrel style
kegs.*

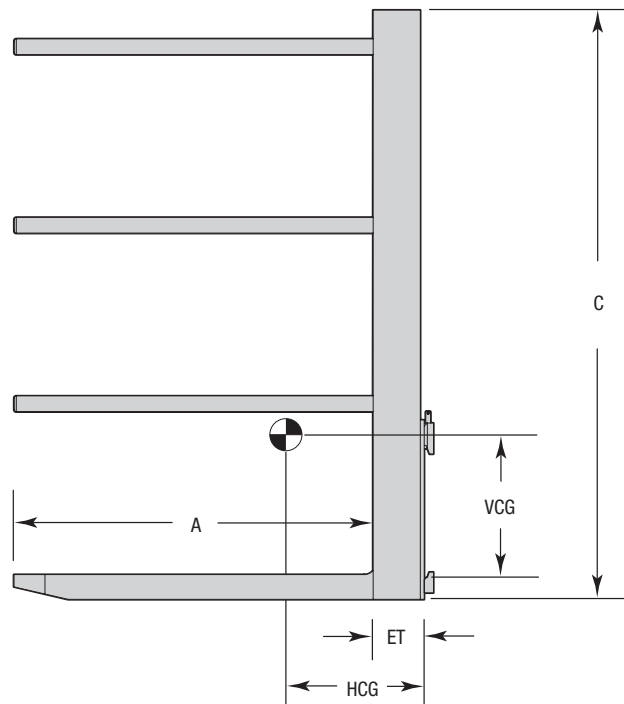
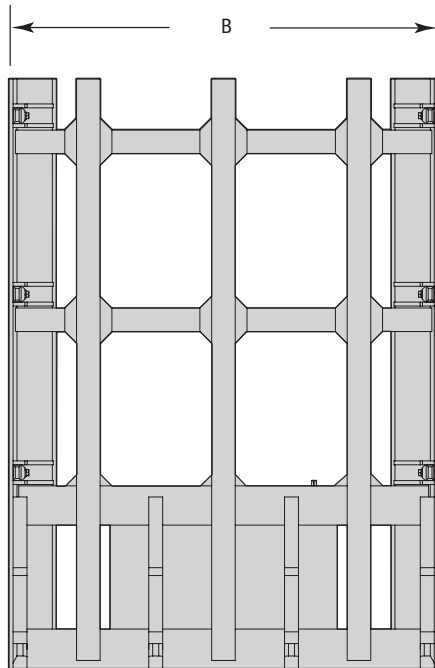


KEG HANDLERS



18-Keg Handler (handles 2 layers of 9 full kegs)

Capacity @ 24" (600 mm) Load Center		Fork Length A	Catalog Order No.	Mtg. Class	Mtg. Angle	Min. Truck Carriage Width	Weight		Effective Thickness ET	Horizontal Ctr. of Gravity HCG	Vertical Ctr. of Gravity VCG	Overall Width B	Overall Height C
lbs	kg						lbs	kg					
3,000	1,360	46"	30A-KHB-01A	II	0°	31"	1,060	480	6.1"	10.3"	8.7"	54.6"	37.4"



36-Keg Handler (handles 4 layers of 9 empty kegs)

Capacity @ 24" (600 mm) Load Center		Fork Length A	Catalog Order No.	Mtg. Class	Mtg. Angle	Min. Truck Carriage Width	Weight		Effective Thickness ET	Horizontal Ctr. of Gravity HCG	Vertical Ctr. of Gravity VCG	Overall Width B	Overall Height C
lbs	kg						lbs	kg					
3,000	1,360	46"	30A-KHB-02A	II	0°	31"	1,420	645	6.1"	10.4"	20.9"	54.6"	75.0"

MOUNTING CLASS INFORMATION

Mounting Class	Truck Capacity
II	2,000-5,500 lbs.