



LIFT-TEK®



Bale Clamps

Pulp Bale Clamp T413
Recycling Bale Clamp T413RC
Foam Rubber Clamp T413R



Premium Quality and Design

BALE CLAMPS

2016

Clamps for Non-Palletized Loads

KAUP has a variety of clamps available for handling of non-palletized loads. Bale clamps are designed primarily to handle bales of paper, waste paper, tobacco or fabric, as well as crates and other containers. Specially designed clamping arms can also be used to transport pulp, polystyrene, cotton and big-bags.

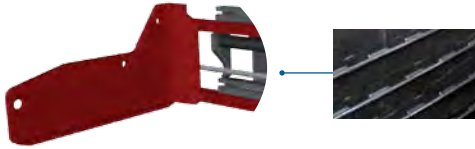
Clamps for handling bales of waste paper at recycling plants are normally fitted with arms that are 78.7" (2 meters) in length and reinforced at the joint on the clamp profiles. These clamps can easily load and unload trucks or rail cars from the side.

As part of the KAUP modular system, bale clamps can be combined with rotators so that the clamped load can be rotated.

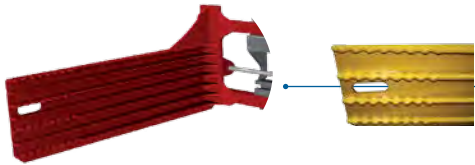
Appliance and carton clamps are a special form of KAUP high visibility bale clamps. Information on these attachments can be found in a separate brochure.

Clamp arms

The clamp arms are solid and very thin to allow quick and precise handling of the load with optimal balance between the load weight and the strength and stability of the clamp arms. The arms come standard with wear and tear bars on the bottom to prolong the life span of the attachment. The arms can be combined with a variety of options to meet your exact requirements. The inner surface of the arms can be fitted with a variety of coatings to achieve optimal friction.



T413B: Clamp arms with welded-on steel rods for handling bales of textiles or paper.



T413RC: Clamp arm with corrugated / toothed bars for handling waste paper bales.



T413R: Tube version for handling bales of foam rubber or bales of Styrofoam.



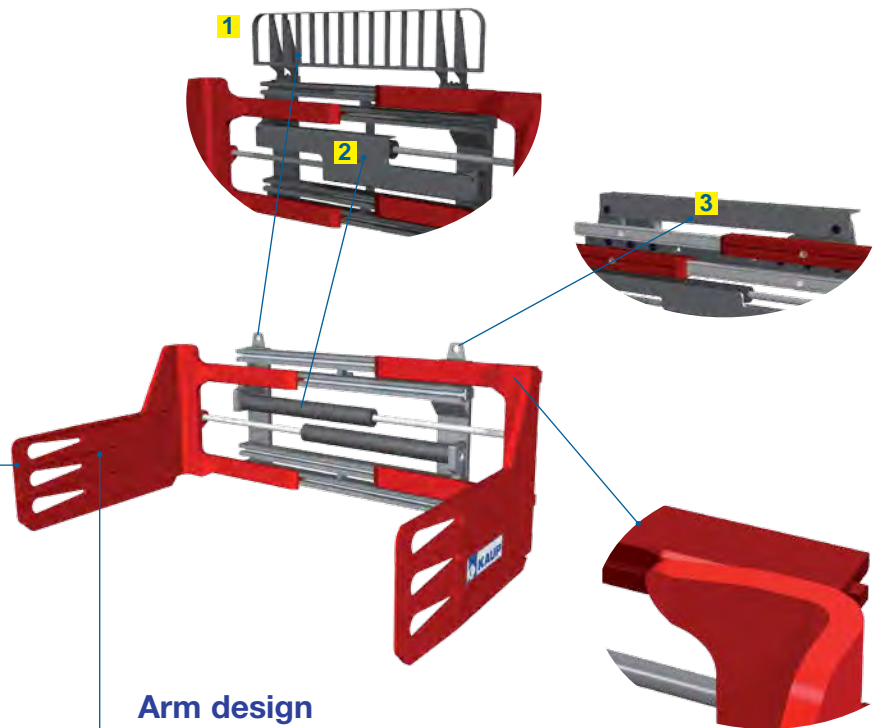
T413B-1: - Version with swiveling left arm for picking up bales with different dimensions and to adjust to different loads.

Versatile

KAUP clamps can be mounted on forklifts, wheel loaders and telescopic loaders. We supply the necessary adapters and quick release systems.

Heavy Duty

KAUP clamps can be used for the most demanding tasks by adding options like load backrests (1), cylinder protection (2), cylinder and piston rod protection, sideshift cylinder protection, and hose protection (3). These options help to protect the clamp from damage and reduce downtime.



Arm design

KAUP's standard bale clamp arms are manufactured from bent steel plate and welded directly to the guide profiles.

Clamp arm coatings

KAUP bale clamps can be fitted with a range of coatings to suit your needs. These can improve friction and protect sensitive loads. These include corrugated sheet metal, gripping nap strap, polyurethane, Secutex or moss foam rubber.



KAUP Clamps: The Advantages at a Glance

Quick & easy installation

On versions with independent sideshift: the guide rail for the sideshifter housings is located on the upper bar of the fork carriage and locks into the center notch. The complete attachment is mounted onto this guide rail and secured by bolting the bottom mounting brackets (1) to the carriage. Our SMOOTHROLL technology uses needle bearing guided bottom brackets (2); attachments with capacities above 3.5 t feature tandem rollers (3). Once the attachment is mounted and the hydraulic lines are connected, the attachment is ready to use.

If required, we can supply KAUP quick disconnects (4), which allow the clamp to be mounted/dismounted quickly without any tools.

High visibility

KAUP clamps set high standards for visibility. They are designed to provide excellent visibility for the driver, which allows for quick and precise operation of the clamp for effi-

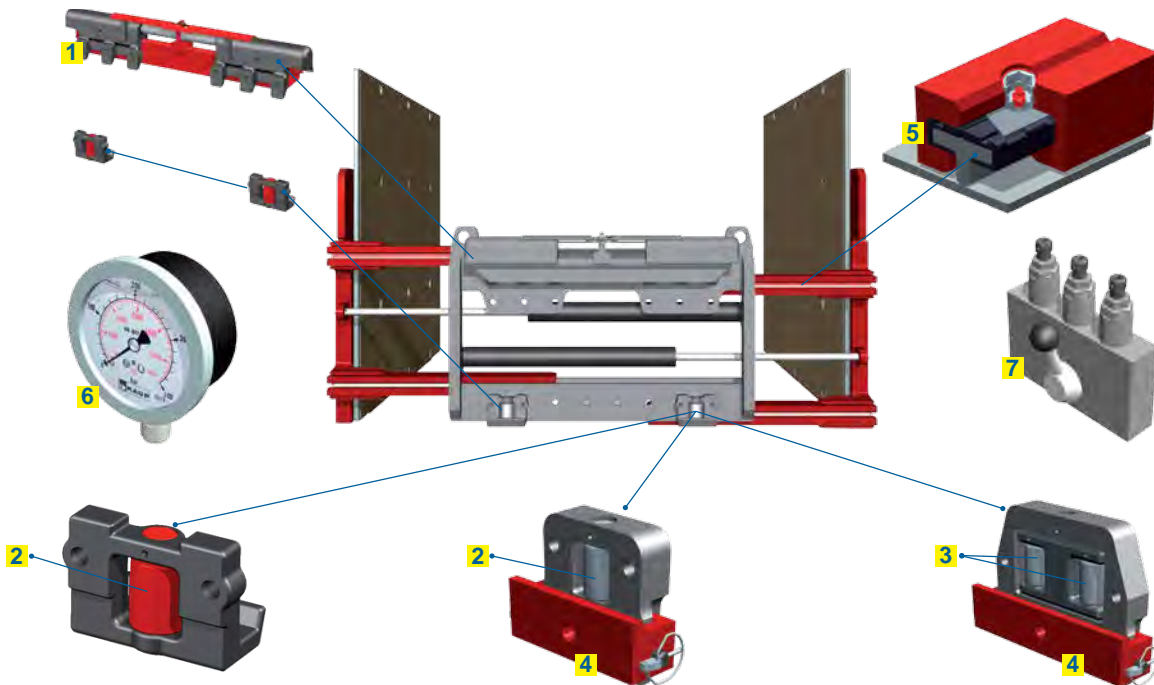
cient operation, while reducing the risk of accidents.

Simple handling

KAUP clamps can be equipped with sideshift function to simplify operation for the driver. The **independent sideshift system (1-4)** permits sideshifting without restriction and allows for the use of the entire opening range to shift loads sideways. All sideshift housings feature our **SOFTSTOP** technology to slow down the sideshift at the end of the stroke. KAUP clamps can be optionally fitted with **valve-block sideshift systems**, which use the residual stroke of the clamp cylinders to achieve lateral arm movement.

Strong clamp profile (5)

KAUP clamps use a combination of T and C profiles in a compact design that provides high stability and favorable weight handling. They have a robust sliding profile between the profiles to improve gliding and reduce wear and tear.



Reliable service

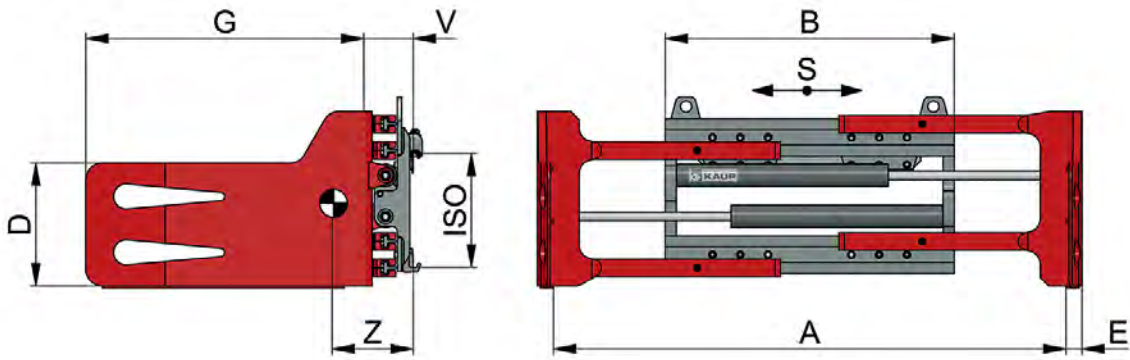
KAUP clamps are designed to lower downtime and maintenance costs. Our standard parts allow for simple servicing without any special skills.

Flexible range of accessories

Pressure reduction valve and manometer gauge: When opening the clamp, KAUP Clamps use a preset pressure reduction valve to prevent damage to the clamp arms and items outside the clamp. When closing the clamp, KAUP clamps use a pressure reduction valve to regulate the clos-

ing force to prevent damage to pressure sensitive loads. If required, three different pressure levels can be preset. These can be controlled manually (7) or by solenoid valve. A manometer gauge (6) mounted in good view of the driver provides an easy way to check the hydraulic pressure of the clamp.

Load backrest: KAUP clamps come standard with mounting lugs that allow a backrest to be fitted without the need to drill holes or make other modifications. KAUP provides all the parts you need to mount a backrest.



Bale Clamp, Pulp Bale Clamp T413

with independent sideshift - 2 hydraulic functions

Bale Clamps allow palletless handling of bales of pulp, paper, recycled paper, tobacco or similar goods. The inner sides of the arms are designed to meet the exact transportation requirements. As a rule, both arms of the Bale Clamp are fixed, so that at least one arm of the larger Pulp Bale Clamps is swiveling. The fixed arms are designed with toe-in (approx. 1.2 inches per 39.4 inch arm length) i.e. the distance between the tips of the arms is approx. 1.2 inches less than at the rear side of the arm connection.

Model	Capacity lb	LCD in	S in	A in	B in	D in	E in	G in	Class	V in	CofG Z in	Weight lb
1.5 T 413	2,500	24	± 3.9	19.5 - 65.9	38.2	17.3	1.5	31.5	2	6.2	8.9	780
								39.4			11.4	860
								47.2			14.1	960
1.5 T 413	2,500	24	± 3.9	22.2 - 71.5	38.2	17.3	1.5	31.5	2	6.2	8.9	785
								39.4			11.3	860
								47.2			14.1	965
1.5 T 413	2,500	24	± 3.9	16.7 - 63.2	40.9	17.3	1.5	31.5	2	6.2	8.9	790
								39.4			11.3	870
								47.2			14.0	970
1.5 T 413	2,500	24	± 3.9	19.5 - 68.7	40.9	17.3	1.5	31.5	2	6.2	8.9	790
								39.4			11.3	870
								47.2			14.0	970
1.5 T 413	2,500	24	± 3.9	18.9 - 74.0	47.2	17.3	1.5	31.5	2	6.2	8.6	830
								39.4			10.9	910
								47.2			13.6	1,010
2 T 413	3,750	24	± 3.9	22.6 - 73.8	40.9	17.3	1.7	31.5	2/3	6.8	8.9	950
								39.4			11.3	1,040
								47.2			14.0	1,170
2 T 413	3,750	24	± 3.9	26.6 - 81.7	40.9	17.3	1.7	31.5	2/3	6.8	8.9	950
								39.4			11.2	1,045
								47.2			14.0	1,175
2 T 413	3,750	24	± 3.9	19.1 - 70.3	44.5	17.3	1.7	31.5	2/3	6.8	8.8	960
								39.4			11.2	1,050
								47.2			13.9	1,180
2 T 413	3,750	24	± 3.9	23.0 - 78.1	44.5	17.3	1.7	31.5	2/3	6.8	8.8	965
								39.4			11.1	1,060
								47.2			13.9	1,185
2 T 413	3,750	24	± 3.9	19.1 - 78.1	52.4	17.3	1.7	31.5	2/3	6.8	8.6	990
								39.4			10.9	1,085
								47.2			13.6	1,215
2 T 413	3,750	24	± 3.9	23.4 - 94.3	59.8	17.3	1.7	31.5	2/3	6.8	8.1	1,080
								39.4			10.3	1,175
								47.2			12.9	1,305
3 T 413	4,500	24	± 3.9	18.7 - 69.9	44.5	19.7	1.9	39.4	2/3	7.4	11.3	1,350
								47.2			12.7	1,400
								39.4			11.3	1,355
3 T 413	4,500	24	± 3.9	22.6 - 77.8	44.5	19.7	1.9	39.4	2/3	7.4	11.3	1,355
								47.2			12.7	1,405
								39.4			11.1	1,390
3 T 413	4,500	24	± 3.9	18.7 - 77.8	52.4	19.7	1.9	39.4	2/3	7.4	11.1	1,390
								47.2			12.4	1,445
								39.4			11.0	1,400
3 T 413	4,500	24	± 3.9	23.8 - 88.0	52.4	19.7	1.9	39.4	2/3	7.4	11.0	1,400
								47.2			12.4	1,450
								39.4			10.9	1,420
3 T 413	4,500	24	± 3.9	18.7 - 82.9	57.5	19.7	1.9	39.4	2/3	7.4	10.9	1,420
								47.2			12.2	1,470
								39.4			10.9	1,425
3 T 413	4,500	24	± 3.9	25.4 - 96.3	57.5	19.7	1.9	39.4	2/3	7.4	10.9	1,425
								47.2			12.2	1,480
								39.4			10.6	1,480
4 T 413	5,500	24	± 3.9	22.6 - 77.8	44.5	19.7	1.9	39.4	3	7.8	10.6	1,480
								47.2			12.3	1,555
								39.4			10.4	1,515
4 T 413	5,500	24	± 3.9	14.8 - 69.9	52.4	19.7	1.9	39.4	3	7.8	10.4	1,515
								47.2			12.0	1,590
								39.4			10.4	1,520
4 T 413	5,500	24	± 3.9	18.7 - 77.8	52.4	19.7	1.9	39.4	3	7.8	10.4	1,520
								47.2			12.0	1,595
								39.4			10.4	1,525
4 T 413	5,500	24	± 3.9	23.8 - 88.0	52.4	19.7	1.9	39.4	3	7.8	10.4	1,525
								47.2			12.0	1,605
								39.4			10.3	1,545
4 T 413	5,500	24	± 3.9	13.6 - 72.6	57.5	19.7	1.9	39.4	3	7.8	10.3	1,545
								47.2			11.9	1,620
								39.4			10.3	1,550
4 T 413	5,500	24	± 3.9	18.7 - 82.9	57.5	19.7	1.9	39.4	3	7.8	10.3	1,550
								47.2			11.9	1,625
								39.4			10.3	1,550

Model	Capacity lb	LCD in	S in	A in	B in	D in	E in	G in	Class	V in	CofG Z in	Weight lb
4 T 413	5,500	24	± 3.9	25.0 - 95.9	57.5	19.7	1.9	39.4 47.2	3	7.8	10.2 11.9	1,560 1,635
4 T 413	5,500	24	± 3.9	15.2 - 79.3	61.0	19.7	1.9	39.4 47.2	3	7.8	10.0 11.6	1,665 1,740
4.5 T 413	7,000	24	± 3.9	23.4 - 78.5	47.2	19.7	2.0	47.2 55.1 63.0	3	9.0	12.2 14.8 17.6	1,835 1,990 2,080
4.5 T 413	7,000	24	± 3.9	18.3 - 73.4	52.4	19.7	2.0	47.2 55.1 63.0	3	9.0	12.1 14.5 17.4	1,870 2,020 2,115
4.5 T 413	7,000	24	± 3.9	27.4 - 91.5	52.4	19.7	2.0	47.2 55.1 63.0	3	9.0	12.0 14.5 17.3	1,885 2,040 2,125
4.5 T 413	7,000	24	± 3.9	17.1 - 76.2	57.5	19.7	2.0	47.2 55.1 63.0	3	9.0	11.9 14.4 17.1	1,915 2,065 2,155
4.5 T 413	7,000	24	± 3.9	22.2 - 86.4	57.5	19.7	2.0	47.2 55.1 63.0	3	9.0	11.9 14.3 17.1	1,920 2,075 2,165
4.5 T 413	7,000	24	± 3.9	30.1 - 102.2	57.5	19.7	2.0	47.2 55.1 63.0	3	9.0	11.8 14.3 17.0	1,935 2,090 2,175
5 T 413	8,500	24	± 6.3	25.2 - 89.4	57.5	19.7	2.0	47.2 55.1 63.0	4	8.5	11.7 13.0 16.5	2,260 2,345 2,655
5 T 413	8,500	24	± 6.3	21.7 - 85.8	61.0	19.7	2.0	47.2 55.1 63.0	4	8.5	11.6 12.9 16.3	2,285 2,365 2,675
5 T 413	8,500	24	± 6.3	21.7 - 96.5	71.7	19.7	2.0	47.2 55.1 63.0	4	8.5	11.3 12.5 15.9	2,375 2,460 2,725
5 T 413	8,500	24	± 6.3	29.5 - 112.2	71.7	19.7	2.0	47.2 55.1 63.0	4	8.5	11.3 12.4 15.8	2,390 2,475 2,785

Also available without sideshift, model T403.

Available with cylinder and sideshift protection upon request.

Bale clamps with higher capacities available upon request.

Variations in width, opening ranges and arm dimensions available upon request.

Special version for Big Bags, based on the KAUP Bale Clamp, are also available.

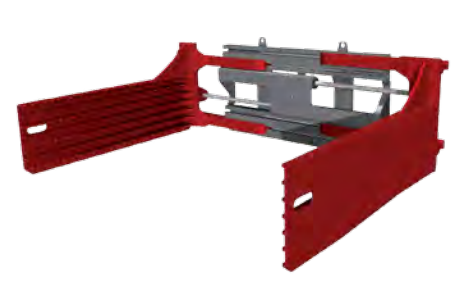
Load Backrest Model T479.



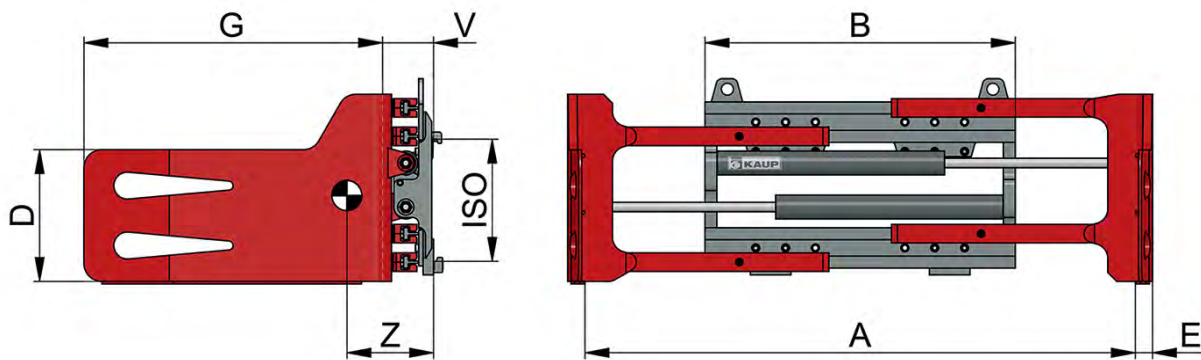
T413



T413RC



T413BRC



Bale Clamp, Pulp Bale Clamp T413

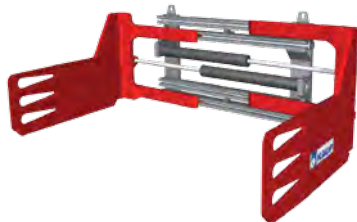
with valveblock sideshift dependent on opening range - 2 hydraulic functions

Model	Capacity lb	LCD in	A in	B in	D in	E in	G in	Class	V in	CofG Z in	Weight lb
1.5 T 413	2,500	24	19.5 - 65.9	38.2	17.3	1.5	31.5	2	6.1	8.9	775
							39.4			11.3	855
							47.2			14.1	955
1.5 T 413	2,500	24	22.2 - 71.5	38.2	17.3	1.5	31.5	2	6.1	8.9	780
							39.4			11.3	860
							47.2			14.1	955
1.5 T 413	2,500	24	16.7 - 63.2	40.9	17.3	1.5	31.5	2	6.1	8.8	785
							39.4			11.3	865
							47.2			14.0	965
1.5 T 413	2,500	24	19.5 - 68.7	40.9	17.3	1.5	31.5	2	6.1	8.8	785
							39.4			11.2	865
							47.2			14.0	965
1.5 T 413	2,500	24	18.9 - 74	47.2	17.3	1.5	31.5	2	6.1	8.6	810
							39.4			11.0	890
							47.2			13.7	990
2 T 413	3,750	24	22.6 - 73.8	40.9	17.3	1.7	31.5	2/3	6.7	8.8	950
							39.4			11.2	1,045
							47.2			14.0	1,175
2 T 413	3,750	24	26.6 - 81.7	40.9	17.3	1.7	31.5	2/3	6.7	8.8	950
							39.4			11.2	1,045
							47.2			13.9	1,175
2 T 413	3,750	24	19.1 - 70.3	44.5	17.3	1.7	31.5	2/3	6.7	8.7	960
							39.4			11.1	1,055
							47.2			13.9	1,185
2 T 413	3,750	24	23.0 - 78.1	44.5	17.3	1.7	31.5	2/3	6.7	8.7	965
							39.4			11.1	1,060
							47.2			13.8	1,190
2 T 413	3,750	24	19.1 - 78.1	52.4	17.3	1.7	31.5	2/3	6.7	8.5	995
							39.4			10.9	1,090
							47.2			13.5	1,215
2 T 413	3,750	24	23.4 - 94.3	59.8	17.3	1.7	31.5	2/3	6.7	8.0	1,080
							39.4			10.2	1,175
							47.2			12.8	1,305
3 T 413	4,500	24	18.7 - 69.9	44.5	19.7	1.9	39.4	2/3	7.3	11.9	1,305
							47.2			13.4	1,355
							47.2			13.3	1,360
3 T 413	4,500	24	22.6 - 77.8	44.5	19.7	1.9	39.4	2/3	7.3	11.9	1,310
							47.2			13.3	1,360
							47.2			13.1	1,345
3 T 413	4,500	24	18.7 - 77.8	52.4	19.7	1.9	39.4	2/3	7.3	11.7	1,345
							47.2			13.1	1,400
							47.2			13.0	1,350
3 T 413	4,500	24	23.8 - 88.0	52.4	19.7	1.9	39.4	2/3	7.3	11.6	1,350
							47.2			13.0	1,405
							47.2			11.5	1,375
3 T 413	4,500	24	18.7 - 82.9	57.5	19.7	1.9	39.4	2/3	7.3	11.5	1,375
							47.2			12.9	1,425
							47.2			12.8	1,435
3 T 413	4,500	24	25.4 - 96.3	57.5	19.7	1.9	39.4	2/3	7.3	11.5	1,380
							47.2			12.8	1,435
							47.2			12.8	1,435
4 T 413	5,500	24	22.6 - 77.8	44.5	19.7	1.9	39.4	3	7.7	10.6	1,485
							47.2			12.2	1,565
							47.2			12.0	1,600
4 T 413	5,500	24	14.8 - 69.9	52.4	19.7	1.9	39.4	3	7.7	10.4	1,525
							47.2			12.0	1,600
							47.2			10.3	1,530
4 T 413	5,500	24	18.7 - 77.8	52.4	19.7	1.9	39.4	3	7.7	10.3	1,535
							47.2			12.0	1,605
							47.2			12.0	1,610
4 T 413	5,500	24	23.8 - 88.0	52.4	19.7	1.9	39.4	3	7.7	10.3	1,535
							47.2			12.0	1,610
							47.2			10.2	1,550
4 T 413	5,500	24	13.6 - 72.6	57.5	19.7	1.9	39.4	3	7.7	10.2	1,550
							47.2			11.9	1,625
							47.2			10.2	1,555
4 T 413	5,500	24	18.7 - 82.9	57.5	19.7	1.9	39.4	3	7.7	10.2	1,555
							47.2			11.8	1,635
							47.2			10.2	1,565
4 T 413	5,500	24	25.0 - 95.9	57.5	19.7	1.9	39.4	3	7.7	10.2	1,565
							47.2			11.8	1,640
							47.2			11.8	1,640
4 T 413	5,500	24	15.2 - 79.3	61.0	19.7	1.9	39.4	3	7.7	9.9	1,670
							47.2			11.5	1,750
							47.2			11.5	1,750
4.5 T 413	7,000	24	23.4 - 78.5	47.2	19.7	2.0	47.2	3	8.9	12.2	1,845
							55.1			14.7	2,000
							63.0			17.6	2,090

Model	Capacity lb	LCD in	A in	B in	D in	E in	G in	Class	V in	CofG Z in	Weight lb
4.5 T 413	7,000	24	18.3 - 73.4	52.4	19.7	2.0	47.2 55.1 63.0	3	8.9	12.0 14.5 17.4	1,885 2,035 2,125
4.5 T 413	7,000	24	27.4 - 91.5	52.4	19.7	2.0	47.2 55.1 63.0	3	8.9	11.9 14.4 17.3	1,900 2,050 2,140
4.5 T 413	7,000	24	17.1 - 76.2	57.5	19.7	2.0	47.2 55.1 63.0	3	8.9	11.8 14.3 17.1	1,925 2,075 2,165
4.5 T 413	7,000	24	22.2 - 86.4	57.5	19.7	2.0	47.2 55.1 63.0	3	8.9	11.8 14.2 17.0	1,935 2,085 2,175
4.5 T 413	7,000	24	30.1 - 102.2	57.5	19.7	2.0	47.2 55.1 63.0	3	8.9	11.7 14.1 17.0	1,950 2,100 2,185
5 T 413	8,500	24	25.2 - 89.4	57.5	19.7	2.0	47.2 55.1 63.0	4	8.7	12.2 13.5 17.1	2,185 2,265 2,575
5 T 413	8,500	24	21.7 - 85.8	61.0	19.7	2.0	47.2 55.1 63.0	4	8.7	12.1 13.4 17.0	2,205 2,290 2,600
5 T 413	8,500	24	21.7 - 96.5	71.7	19.7	2.0	47.2 55.1 63.0	4	8.7	11.8 13.0 16.5	2,295 2,380 2,690
5 T 413	8,500	24	29.5 - 112.2	71.7	19.7	2.0	47.2 55.1 63.0	4	8.7	11.7 13.0 16.4	2,315 2,395 2,705
5.5 T 413B	9,500	24	24.6 - 99.4	68.5	15.7	2.0	63.0 70.9	4	10.0	13.3 15.4	3,285 3,465
6 T 413B	8,750	32	24.2 - 88.4	61.0	19.7	2.2	63.0	4	10.4	17.2	3,250
6 T 413B	11,500	24	28.1 - 103	68.5	19.7	2.2	55.1 63.0	4	10.4	13.3 15.6	3,135 3,330
6 T 413B	11,500	24	23.6 - 98.4	73.2	19.7	2.2	55.1 63.0	4	10.4	12.8 14.9	3,300 3,495
6 T 413B	11,500	24	24.8 - 107.5	79.9	19.7	2.2	55.1 63.0	4	10.4	12.2 14.4	3,305 3,495
6 T 413B	11,500	24	20.7 - 112.8	94.5	19.7	2.2	55.1 63.0	4	10.4	12.1 14.1	3,560 3,755
6.5 T 413B	13,000	32	24.2 - 99.0	73.2	19.7	2.4	63.0 70.9	4	11.0	15.5 17.8	3,980 4,175
6.5 T 413B	13,000	32	25.4 - 108.1	79.9	19.7	2.4	63.0 70.9	4	11.0	15.0 17.2	3,980 4,155
6.5 T 413B	13,000	32	23.6 - 118.1	94.5	19.7	2.4	63.0 70.9	4	11.0	14.7 16.9	4,245 4,440
8 T 413B	17,250	32	27.6 - 122.0	86.6	22.0	3.2	55.1 66.9	4	13.4	15.6 19.0	5,950 6,385

Also available without sideshift, model T403.

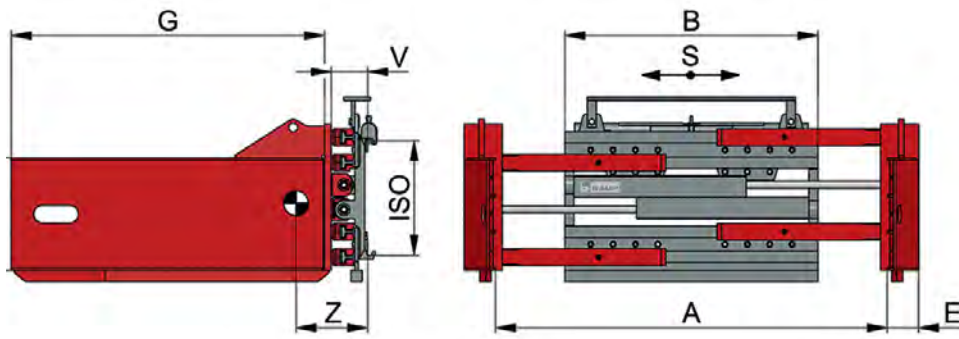
Also available with 1 arm oscillating, model T413B-1. Available with cylinder and sideshift protection upon request. Bale Clamps with higher capacities available upon request. Variations in width, opening ranges and arm dimensions available upon request. Special version for Big Bags, based on the KAUP Bale Clamp, are also available. Load Backrest Model T479.



T413B



T413B-1



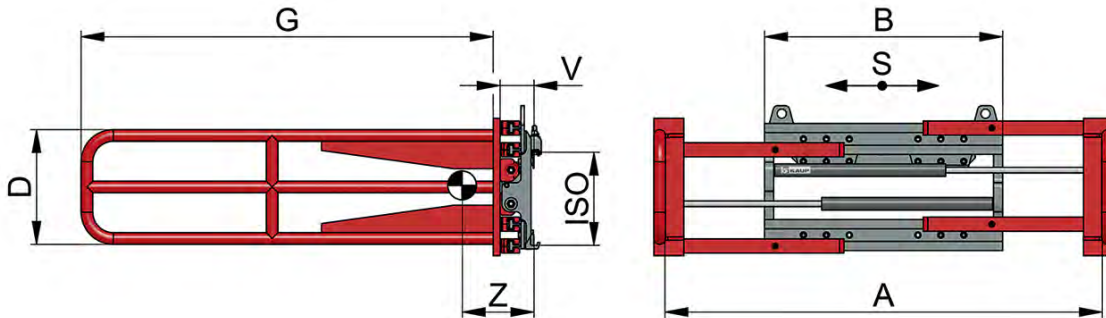
Recycling Bale Clamp T413RC

with independent sideshift - with cylinder- and sideshift protection - 2 hydraulic functions

Model	Capacity lb	LCD in	S in	A in	B in	D in	E in	G in	Class	V in	CofG Z in	Weight lb
2 T 413 RC	3,750	24	± 3.9	22.6 - 73.8	40.9	17.3	1.7	39.4 47.2	2/3	5.6	11 13.6	1,265 1,385
2 T 413 RC	3,750	24	± 3.9	19.1 - 70.3	44.5	17.3	1.7	39.4 47.2	2/3	5.6	10.9 13.5	1,280 1,400
2 T 413 RC	3,750	24	± 3.9	23.4 - 94.3	59.8	17.3	1.7	39.4 47.2	2/3	5.6	10.2 12.6	1,415 1,535
3 T 413 RC	4,500	24	± 3.9	18.3 - 69.5	44.5	19.7	5.1	55.1 63.0	2/3	6	14.6 16.6	1,790 1,865
3 T 413 RC	4,500	24	± 3.9	23.8 - 88.0	52.4	19.7	5.1	55.1 63.0	2/3	6	14.2 16.1	1,850 1,930
4 T 413 RC	5,500	24	± 3.9	22.2 - 77.4	44.5	19.7	5.1	55.1 63.0	3	6.4	14.6 16.5	2,025 2,105
4 T 413 RC	5,500	24	± 3.9	23.4 - 87.6	52.4	19.7	5.1	55.1 63.0	3	6.4	13.9 15.8	2,150 2,230
4.5 T 413 RC	4,750	32	± 3.9	21.7 - 76.8	47.2	19.7	5.1	63.0 78.7	3	7.4	15.4 19.3	2,260 2,415
4.5 T 413 RC	4,750	32	± 3.9	25.6 - 89.8	52.4	19.7	5.1	63.0 78.7	3	7.4	15.1 18.9	2,315 2,475
4.5 T 413 RC	4,750	32	± 3.9	27.6 - 91.7	57.5	19.7	5.1	63.0 78.7	3	7.4	14.8 18.5	2,365 2,520
4.5 T 413 RC	4,750	32	± 3.9	34.3 - 98.4	61	19.7	5.1	63.0 78.7	3	7.4	14.6 18.3	2,405 2,560

Also available without sideshift, model T403RC.

Load Backrest Model T479.



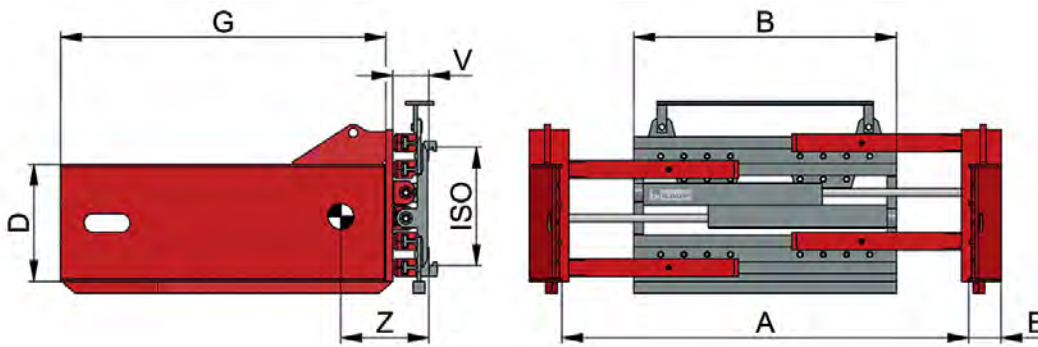
Foam Rubber Clamp T413R

with independent sideshift - 2 hydraulic functions

Model	Capacity lb	LCD in	S in	A in	B in	D in	G in	Class	V in	CofG Z in	Weight lb
1.5 T 413 R	1,000	44	± 3.9	29.9 - 89.0	44.5	19.7	59.1	2	5.2	10.5	785
				33.1 - 96.9	52.4	19.7	59.1	2	5.2	10.2	810
				33.1 - 96.9	52.4	19.7	70.9	2	5.2	11.9	835
2 T 413 R	1,500	44	± 3.9	23.6 - 74.8	40.9	19.7	70.9	2	5.6	12.3	830
				23.6 - 96.5	63.0	19.7	70.9	2	5.6	11	965

Also available without sideshift, model T403R.

Load Backrest Model T479. Variations in width, opening ranges and arm dimensions available upon request.



Recycling Bale Clamp T413RC – with valveblock sideshift dependent on opening range
with cylinder- and sideshift protection - 2 hydraulic functions

Model	Capacity lb	LCD in	A in	B in	D in	E in	G in	Class	V in	CofG Z in	Weight lb
2 T 413 RC	3,750	24	22.6 - 73.8	40.9	17.3	1.7	39.4 47.2	2/3	5.4	10.9 13.5	1,250 1,365
2 T 413 RC	3,750	24	19.1 - 70.3	44.5	17.3	1.7	39.4 47.2	2/3	5.4	10.8 13.4	1,265 1,385
2 T 413 RC	3,750	24	23.4 - 94.3	59.8	17.3	1.7	39.4 47.2	2/3	5.4	10 12.4	1,400 1,520
3 T 413 RC	4,500	24	18.3 - 69.5	44.5	19.7	5.1	55.1 63	2/3	5.7	14.9 17	1,715 1,775
3 T 413 RC	4,500	24	23.8 - 88.0	52.4	19.7	5.1	55.1 63	2/3	5.7	14.5 16.5	1,780 1,860
4 T 413 RC	5,500	24	22.2 - 77.4	44.5	19.7	5.1	55.1 63	3	6.1	14 15.8	2,000 2,075
4 T 413 RC	5,500	24	23.4 - 87.6	52.4	19.7	5.1	55.1 63	3	6.1	13.4 15.2	2,120 2,200
4.5 T 413 RC	4,750	32	21.7 - 76.8	47.2	19.7	5.1	63 78.7	3	7.1	15.6 19.5	2,235 2,390
4.5 T 413 RC	4,750	32	25.6 - 89.8	52.4	19.7	5.1	63 78.7	3	7.1	15.3 19.1	2,295 2,445
4.5 T 413 RC	4,750	32	27.6 - 91.7	57.5	19.7	5.1	63 78.7	3	7.1	15 18.8	2,335 2,490
4.5 T 413 RC	4,750	32	34.3 - 98.4	61	19.7	5.1	63 78.7	3	7.1	14.8 18.5	2,380 2,540
4.8 T 413 BRC	7,250	32	25.6 - 89.8	52.4	19.7	6.3	63 78.7	3	8.1	14.7 18.3	3,265 3,470
5.5 T 413 BRC	7,250	32	25.6 - 89.8	52.4	19.7	6.3	63 78.7	4	8.1	14.6 18.1	3,305 3,515
6 T 413 BRC	8,750	32	23.6 - 87.8	61	23.6	6.3	63 78.7	4	8.3	13 16.7	3,530 3,760
6 T 413 BRC	8,750	32	22.0 - 96.9	73.2	23.6	6.3	63 78.7	4	8.3	14.1 17.2	3,860 4,225
6 T 413 BRC	8,750	32	28.7 - 103.5	73.2	23.6	6.3	63 78.7	4	8.3	14.1 17.2	3,860 4,230
6 T 413 BRC	8,750	32	23.2 - 105.9	79.9	23.6	6.3	63 78.7	4	8.3	13.6 17.2	4,010 4,385
6 T 413 BRC	8,750	32	19.1 - 111.2	94.5	23.6	6.3	63 78.7	4	8.3	14.1 17.2	4,205 4,585
6.5 T 413 BRC	13,000	32	26.8 - 90.9 25.2 - 100.0 24.0 - 106.7 22.8 - 117.3	61 73.2 79.9 94.5	23.6	6.3	63 63 63 63	4	8.7	14.4 13.4 13.1 12.7	3,845 4,270 4,330 4,525
8 T 413 BRC	17,250	32	25.2 - 89.4	61	23.6	6.3	63 78.7	4	10.2	14.4 18	4,550 4,830
8 T 413 BRC	17,250	32	22.0 - 104.7	78.7	23.6	6.3	63 78.7	4	10.2	13.7 17	4,900 5,180
8 T 413 BRC	17,250	32	27.0 - 109.6	78.7	23.6	6.3	63 78.7	4	10.2	13.7 17	4,900 5,180
8 T 413 BRC	17,250	32	23.0 - 117.5	86.6	23.6	6.3	63 78.7	4	10.2	13.4 16.7	5,075 5,355

Also available without sideshift, model T403RC.
Load Backrest Model T479.



LIFT-TEK®

**Inside Customer Service
and Support**

E-mail:

attachments@lift-tek.com

Phone: 864-647-1119

Toll-Free: 888-946-3330

Fax: 864-647-5406

Parts

E-mail: parts@lift-tek.com

Phone: 864-647-6302

Toll-Free: 877-430-6302

Fax: 864-647-7302

Warranty Information

E-mail: warranty@lift-tek.com

Toll-Free: 888-946-3330

Fax: 864-647-6195

www.lift-tek.com



Material Handling Attachments



Premium Quality and Design