



Efficiently Clamp and Rotate Your Bulk Box Containers

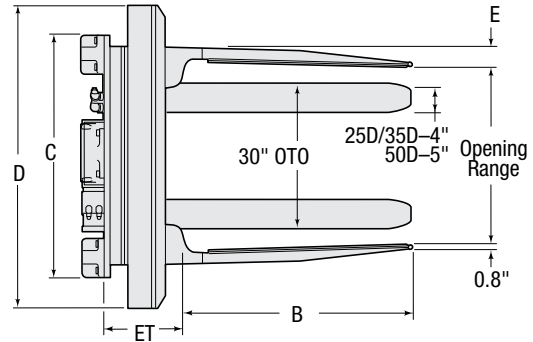
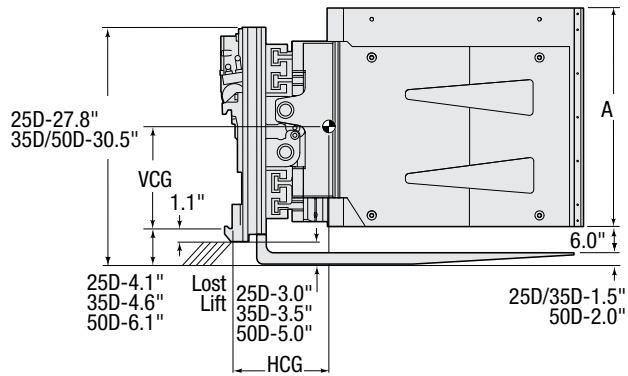
APPLICATIONS

Bulk Box Handlers are versatile attachments used to handle produce, piece parts, and other items where a box attached to a pallet requires support of multipurpose arms for rotating and dumping.

FEATURES

- Easy mounting and removal
- Variable arm sizes available

*Handle a wide
variety of
challenging
applications.*



360° Rotation

Catalog Order No.	Capacity @ 24" (600 mm) Load Center		Opening Range	Mtg. Class	Mtg. Angle	Arm Height	Usable Fork/Arm Length	Min. Truck Carriage Width	Weight		Effective Thickness	Horizontal Ctr. of Gravity	Vertical Ctr. of Gravity	Overall Width	Arm Thickness
	lbs	kg							ITL	ET					
25D-BBH	3,000	1,590	21.7"-70.7" ①	II	0°	24"	42"	25"	1,630	740	11.0"	13.5"	9.5"	37"	2.2"
35D-BBH	4,000	1,820	21.7"-70.7" ①	II	0°	24"	42"	32"	1,930	876	12.4"	15.8"	13.1"	37"	2.2"
50D-BBH	5,000	2,270	23.1"-70.9" ①	III	0°	36"	42"	32"	2,580	1,171	13.5"	16.8"	14.0"	40"	2.5"

① Published opening range limits nominal clamp dimensions only and may not accommodate loads with same or close to same dimension. Consult Cascade for further assistance.

▶ Consult Cascade for hydraulic flow, pressure and rotator specifications.

▶ Bulk Box Handlers are built to order. Arm sizes vary and are based on the size of the box. Prices vary accordingly, consult Cascade.

▶ Optional body bumper available.

When ordering please specify:

- Arm length
- Arm height
- Usable fork length
- Fork Spread
- Opening Range
- Distance between fork and arm